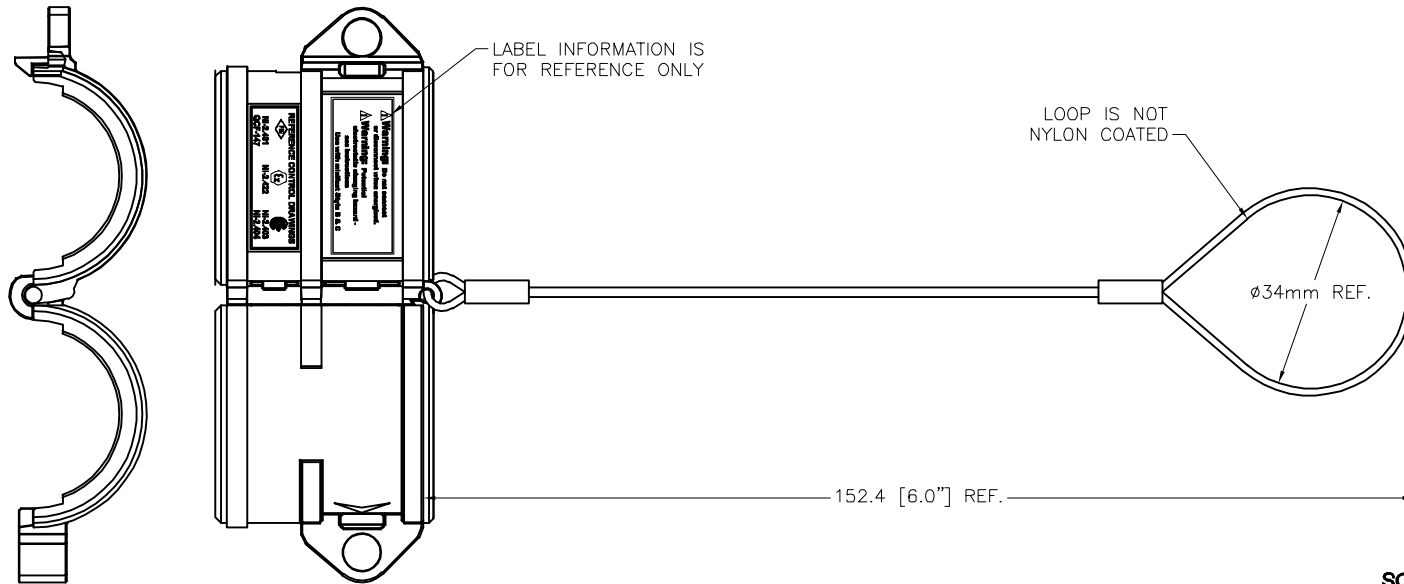
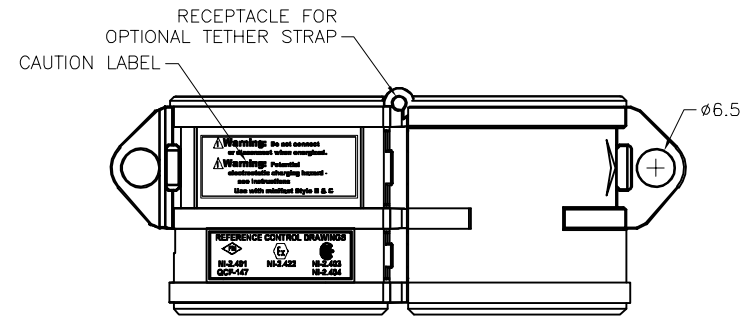
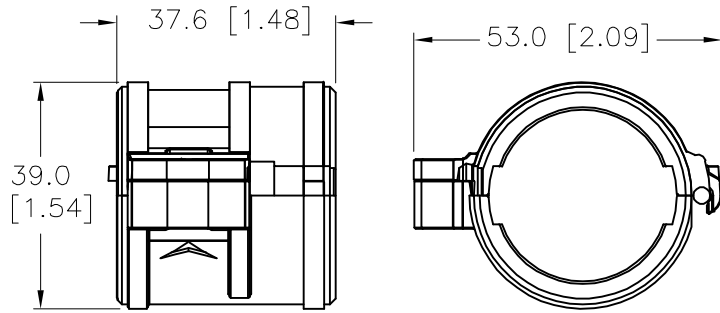


SPECIFICATIONS

HOUSING MATERIAL/COLOR	NYLON 66/BLACK
LANYARD MATERIAL/FINISH	STAINLESS STEEL/NYLON-COATED



SOURCE DRAWING - FOR REFERENCE ONLY

RELATED DOCUMENTS 1. NOTE 2. PRELIMINARY 3. SPECIFICATIONS 4.	3RD ANGLE PROJECTION 	THIS DRAWING IS CONFIDENTIAL AND THE PROPERTY OF TURCK INC. USE OF THIS DOCUMENT WITHOUT WRITTEN PERMISSION IS PROHIBITED.		3000 CAMPUS DRIVE MINNEAPOLIS, MN 55441 1-800-544-7769 (763) 553-7300 (763) 553-0708 fax www.turck.us		
	MATERIAL FINISH	ALL DIMENSIONS DISPLAYED ON THIS DRAWING ARE FOR REFERENCE ONLY CONTACT TURCK FOR MORE INFORMATION	DRFT NF	DATE 06/29/20	DESCRIPTION LOCK-MINI B&C W/SS LANYARD	
			APVD	SCALE 1=1.3		
			UNIT OF MEASUREMENT MILLIMETERS		IDENTIFICATION NO. A900067	REV P2
		DO NOT SCALE THIS DRAWING		FILE: A900067	SHEET 1 OF 2	

P2	UPDATED DRAWING PER REDLINE	AS	05/25/23	500000008289
REV	DESCRIPTION	BY	DATE	ECO NO.